

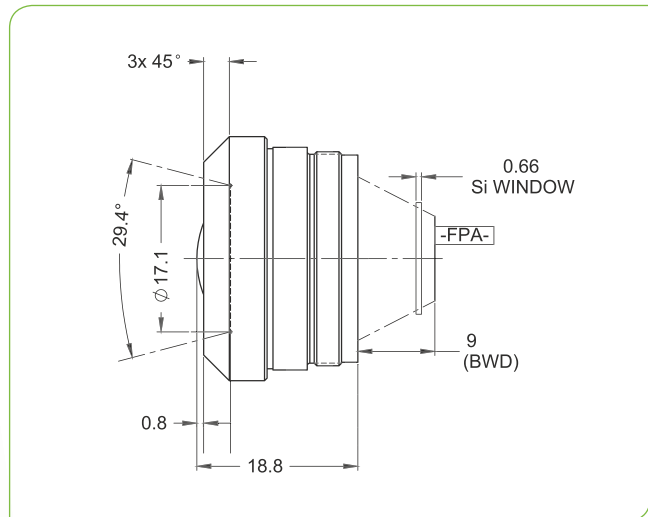
SupIR 19mm f/1.1, Fixed Athermalized 65221

TYPICAL ICD*

LWIR | 1-FOV



**HD
FORMAT**



HFOV	320x240	384x288	640x480	1024x768
17μ	16.1°	19.3°	32.1°	
12μ	11.4°	13.7°	22.7°	36.3°

Property	Value				
Optical					
Focal Length	19mm				
F#	1.1				
Average transmission (8-12μm)	94% (HD) / 88% (HC)				
Back Focal Length	11.51mm in air				
Mechanical					
Focus Mechanism	Fixed				
Depth of Field	12.5m to infinity				
Focus Range	0.6m to infinity				
Weight	see configuration table below				
Max. Dimensions	see configuration table below				
Environmental					
Operation Temperature	-40°C to +80°C				
Storage Temperature	-57°C to +105°C				
Sealing	IP67 front element sealing (conf. 08 and 09)				
Configurations	Weight (gr)	Dimensions	BWD**	Thread	Coating
65221-02	19.8	Ø29.4mm x 18.8mm	9	M25x0.5	HD
65221-03					HC
65221-08	20	Ø25.12mm x 18.8mm	9.7	M24x0.5	HD
65221-09					HC

* The ICD drawing provided here is primarily a representation and may not accurately reflect the product's actual dimensions and specifications. For precise integration specifications contact your local sales representative.

** The BWD value is calculated for a unique detector setup with varying sealing windows in terms of thickness and material. For more details, contact your local sales representative.